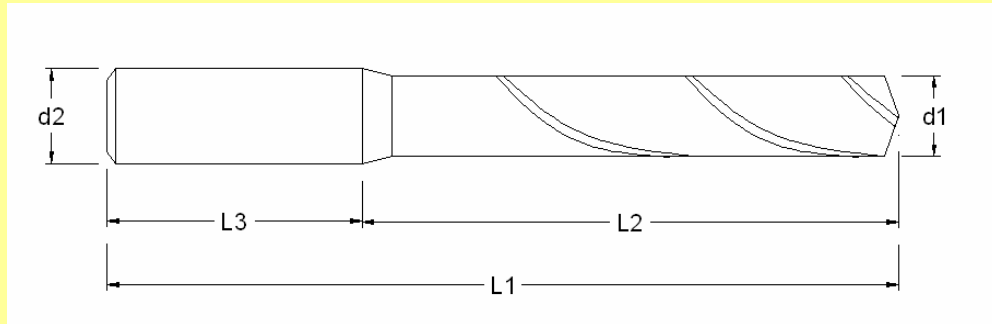


# SOLID CARBIDE DRILLS



POINT GEOMETRY: 140 DEG SPLIT POINT  
COATING: TiAIN

d1	L2	d2	L3	L1	ORDER CODE
H8	(+/-1mm)	h6	(+/-4mm)		
4	24	4	28	52	SCD-0400-R
4	52	4	28	80	SCD-0400-L
5	24	5	28	52	SCD-0500-R
5	52	5	28	80	SCD-0500-L
6	24	6	28	52	SCD-0600-S
6	52	6	28	80	SCD-0600-R
6	77	6	28	105	SCD-0600-L
8	16	8	36	52	SCD-0800-S
8	44	8	36	80	SCD-0800-R
8	69	8	36	105	SCD-0800-L
9	40	9	40	80	SCD-0900-S
9	65	9	40	105	SCD-0900-R
9	120	9	40	160	SCD-0900-L
10	40	10	40	80	SCD-1000-S
10	65	10	40	105	SCD-1000-R
10	120	10	40	160	SCD-1000-L
12	35	12	45	80	SCD-1200-S
12	60	12	45	105	SCD-1200-R
12	115	12	45	160	SCD-1200-L

FOR DRILLS WITH COOLANT HOLE ADD SUFFIX :CH  
ORDER CODE - CH

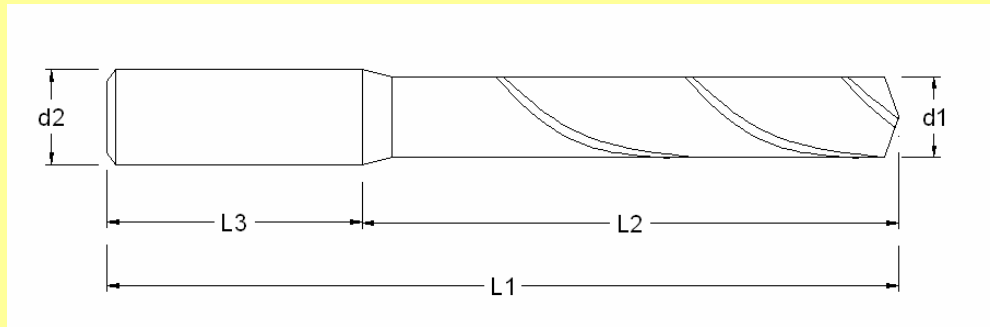
### ORDERING CODE FOR DRILLS AS PER ORDER

TOOL TYPE	DIAMETER	SHANK DIA	FLUTE LENGTH	OAL	POINT ANGLE	CORNER CHAMFER	COATING
SCD	XX.XX	XX	XX	XX	90 DEG 118 DEG 135 DEG 140 DEG XXX DEG	YY.YY X YY	TiN TiCN TiAIN AlTiN

### DISCOUNT GROUP

<2	<5	<10	<50	<100
E	D	C	B	A

## SOLID CARBIDE DRILLS : LXD SERIES



POINT GEOMETRY: 140 DEG SPLIT POINT  
COATING: TIAN

d1	L2	d2	L3	L1	ORDER CODE
H8	(+/-1mm)	h6	(+/-4mm)		
4	24	6	-	66	SCD-0400-LXD3
4	36	6	-	74	SCD-0400-LXD5
5	28	6	-	66	SCD-0500-LXD3
5	44	6	-	82	SCD-0500-LXD5
6	28	6	-	66	SCD-0600-LXD3
6	44	6	-	82	SCD-0600-LXD5
8	41	8	-	79	SCD-0800-LXD3
8	53	8	-	91	SCD-0800-LXD5
9	47	10	-	89	SCD-0900-LXD3
9	61	10	-	103	SCD-0900-LXD5
10	47	10	-	89	SCD-1000-LXD3
10	61	10	-	103	SCD-1000-LXD5
10	99	10	-	151	SCD-1000-LXD7
12	55	12	-	102	SCD-1200-LXD3
12	71	12	-	118	SCD-1200-LXD5
12	99	12	-	151	SCD-1200-LXD7
14	60	14	-	107	SCD-1400-LXD3
14	77	14	-	124	SCD-1400-LXD5
14	115	14	-	167	SCD-1400-LXD7
16	65	16	-	115	SCD-1600-LXD3
16	83	16	-	133	SCD-1600-LXD5
18	73	18	-	123	SCD-1800-LXD3
18	93	18	-	143	SCD-1800-LXD5
20	79	20	-	141	SCD-2000-LXD3
20	101	20	-	153	SCD-2000-LXD5

FOR DRILLS WITH COOLANT HOLE ADD SUFFIX : CH  
ORDER CODE - CH